

- [Carens Manuals](#)
- [OM](#)
- [SM](#)
- [New](#)
- [Top](#)
- [Sitemap](#)
- [Search](#)



Kia Carens
CAR MANUALS
TECHNICAL INFO

Kia Carens: Fuses And Relays / Relay Box (Engine Compartment) Repair procedures

[Kia Carens RP \(2013-2018\) Service Manual](#) / [Body Electrical System](#) / [Fuses And Relays](#) / Relay Box (Engine Compartment) Repair procedures

Inspection

1. Disconnect the negative (-) battery terminal.
2. Pull out the relay from the engine compartment relay box.

Power Relay (Type A)

NOTICE

- Do not use pliers.
- Pliers will damage the relays, which could cause the engine to stall or not start.
- Carefully remove the relay using the relay puller.

Check for continuity between the terminals.

A : Cooling fan relay (low)

B : Blower relay

C : IG2 relay

D : Deicer relay

E : Rear defogger relay

F : Power outlet relay

G : Head lamp washer relay

H : ACC relay

I : Start relay

J : IG1 relay

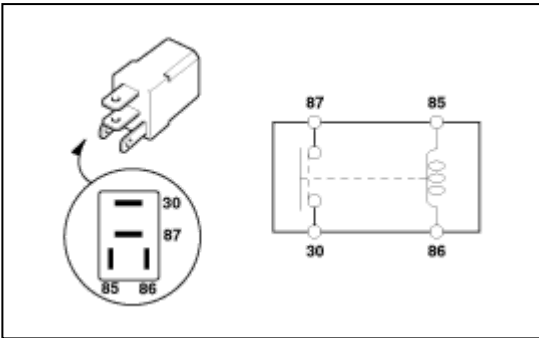
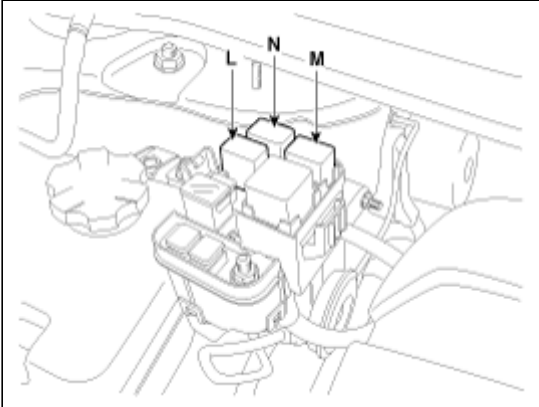
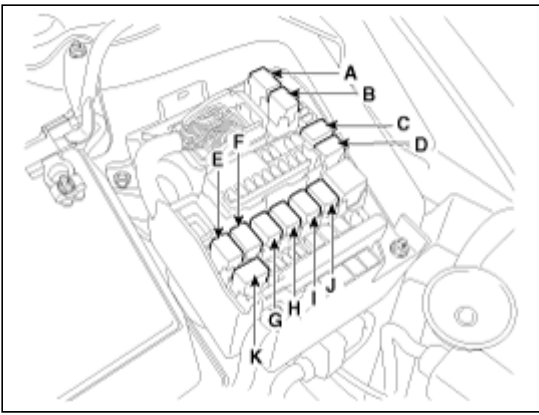
K : Fuel pump relay (GSL)/ Fuel heater relay (DSL)

L : PTC heater relay #1 (DSL)

M : PTC heater relay #2 (DSL)

N : PTC heater relay #3 (DSL)

1. There should be continuity between the No.30 and No.87 terminals when power and ground are connected to the No.85 and No.86 terminals.
2. There should be no continuity between the No.30 and No.87 terminals when power is disconnected.



Terminal	30	87	85	86
Power				
Disconnected			○ — ○	
Connected	○ — ○		○ — ⊕	

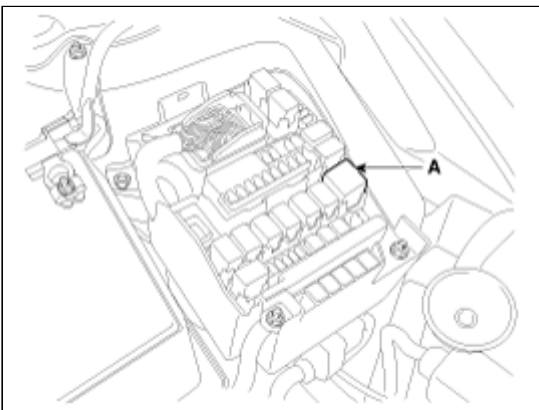
Power Relay (Type C)

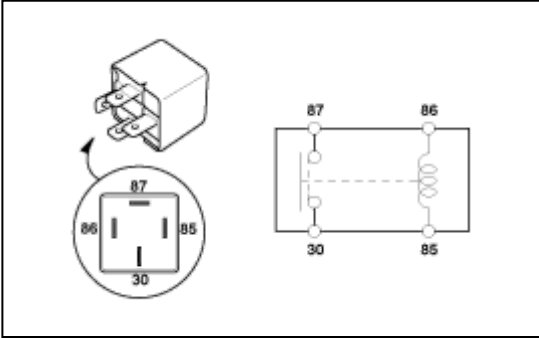
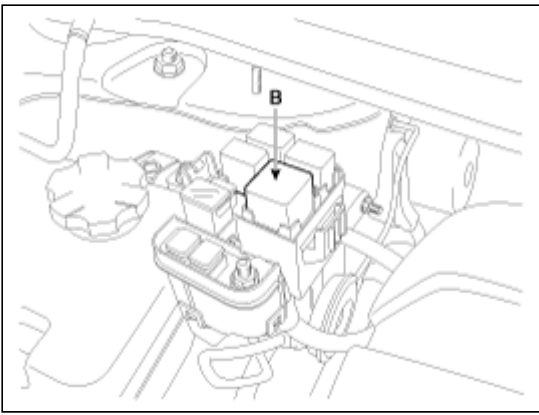
Check for continuity between the terminals.

A : Cooling fan relay (high)

B : Glow relay (DSL)

1. There should be continuity between the No.30 and No.87 terminals when power and ground are connected to the No.85 and No.86 terminals.
2. There should be no continuity between the No.30 and No.87 terminals when power is disconnected.

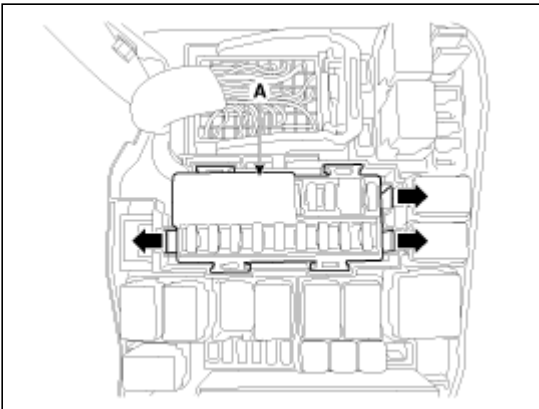




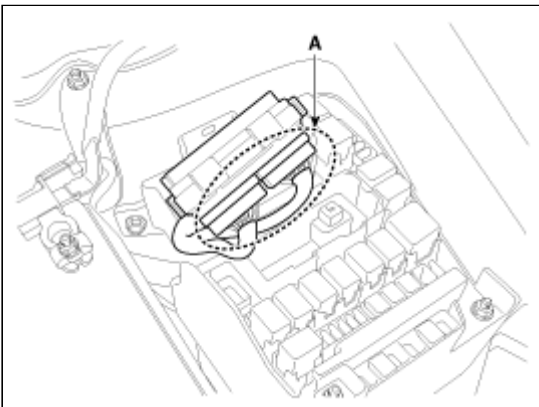
Terminal	86	85	87	30
Power				
Disconnected	○	○		
Connected	⊖	⊕	○	○

Replacement of EMS box

1. Disconnect the negative(-) battery terminal.
2. Push 4 hooks in the engine room relay box out to the arrow direction and put up the EMS box assembly (A).



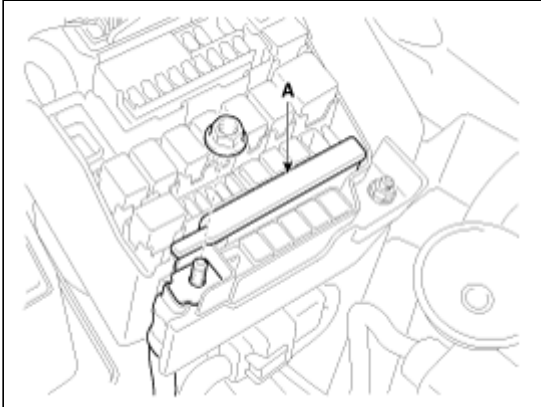
3. Disconnect the connector (A) and remove the EMS box assembly.



Fuse

1. Be sure there is no play in the fuse holders, and that the fuses are held securely.
2. Are the fuse capacities for each circuit correct?
3. Are there any blown fuses?
If a fuse is to be replaced, be sure to use a new fuse of the same capacity. Always determine why the fuse blew first and completely eliminate the problem before installing a new fuse.

Multi Fuse



NOTICE

- Multi fuse (A) is needed to replace in the mass when it damaged only one fuse.
- When replace the multi fuse, refer to the "Engine compartment - component location" diagram exactly.
- Use the multi fuse capacities for each circuit correctly.



[Relay Box \(Engine Compartment\) Components and components location](#)

Component Location ...

[Relay Box \(Passenger Compartment\) Components and components location](#)

Component Location ...



Other information:

[Kia Carens RP \(2013-2018\) Service Manual: Luggage Side Trim Repair procedures](#)

Replacement • Put on gloves to protect your hands. • When ...

[Kia Carens RP \(2013-2018\) Service Manual: Special service tools](#)

Special Service Tools	Tool Name / Number	Illustration	Description
	Engine support fixture (bar) 09200-3N000		Used for holding engine assembly when removing / installing transaxle Used with the ...

Copyright © www.kicaman.com 2015-2023

